

SERVICE VALVES



Design Advantage

- Compact and lightweight
- Stem seal replacement while under pressure
- Unique gate guide for low torque operating
- Full bore waterway
- Full vulcanized ductile iron encapsulated wedge
- Smooth opening and closing operation

Technical Detail

Range DN50 (2" BSP)

Pressure PN16

Temperatures 40°C

Applications Suitable for above and below ground installations, potable water, recycled water, waste water, fire and irrigation applications

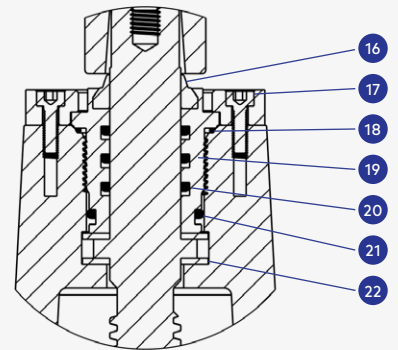
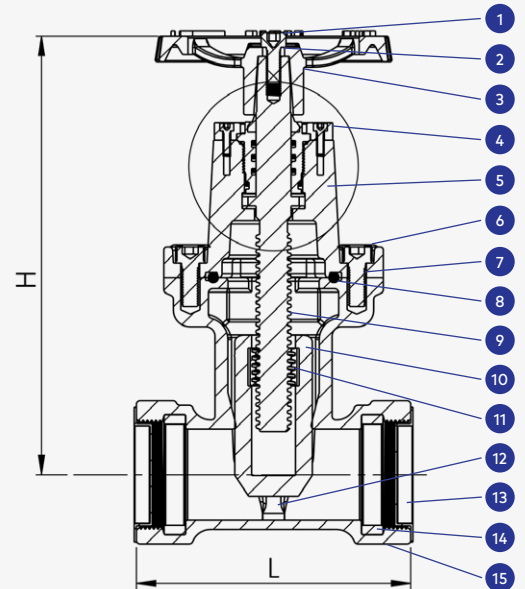
Closing Anti-Clockwise (ACC) / Clockwise Closing (CC)

Compliance

- AS/NZS 2638.2 Licence WM-22535 and OMK22535
- WSAA PA 1517



NO.	PART	MATERIAL	STANDARD
1	Handwheel Bolt	Stainless Steel	SS316 ASTM A276
2	Handwheel Washer	Stainless Steel	SS316 ASTM A276
3	Handwheel	Ductile Iron	500-7 AS 1831
4	Gland Flange	Stainless Steel	SS316 ASTM A276
5	Bonnet	Ductile Iron	500-7 AS 1831
6	Bonnet Bolt Infill	Hot Melt	
7	Bonnet Bolt	Stainless Steel	SS316 ASTM A276
8	Bonnet O-Ring	Rubber	EPDM AS 1646
9	Stem	Stainless Steel	SS431 ASTM A276
10	Wedge	Ductile Iron	500-7 AS 1831
		Rubber	EPDM AS 1646
11	Driving Nut	Copper Alloy	C83600 AS 1568
12	Nylon Guide	Engineered Plastic	Nylon 66 Commercial
13	Dust Cap	Rubber	EPDM Commercial
14	Corrosion Protection Ring	Rubber	EPDM Commercial
15	Body	Ductile Iron	500-7 AS 1831
16	Scraper Seal	Engineered Plastic	Nylon 66 Commercial
17	Gland Flange Bolt	Stainless Steel	SS316 ASTM A276
18	Gland O-Ring A	Rubber	NBR AS 1646
19	Gland Nut	Copper Alloy	C83600 AS 1568
20	Gland O-Ring B	Rubber	NBR AS 1646
21	Gland O-Ring C	Rubber	NBR AS 1646
22	Thrust Washer	Engineered Plastic	Nylon 66 Commercial



DETAILS		
DN	H	L
50 (2")	276	150



www.daemco.com.au
1800 323 626
enquiries@daemco.com.au



promains
YOUR PIPELINE PROFESSIONALS



www.daemco.com.au



VALVES



COUPLINGS



ACCESSORIES



PE DI FITTINGS



COVERS



BANDS

65 Assembly Drive, Tullamarine VIC 3043
1800 323 626 | enquiries@daemco.com.au

Follow us on **LinkedIn**

©Copyright 2018. All Rights Reserved. Daemco Australia reserve the right to change designs and specifications without notice, warranties for suitability for use, liability or loss, damage or costs incurred relating to this information is excluded.