



# COMPREHENSIVE PRODUCT OVERVIEW



**Personalised** service, distribution across Australia, New Zealand and Asia Pacific regions with a comprehensive product range to match, you're in expert hands.



## TABLE OF CONTENTS

Flange Resilient Seat Gate Valves _____	2
PE Resilient Seat Gate Valves _____	3
Spigot Resilient Seat Gate Valves _____	4
Socket Resilient Seat Gate Valves _____	5
Unrestrained Mechanical Couplings _____	6
PE Couplings _____	7
PE Flange Adaptors _____	8
Ductile Iron Fittings _____	9
Non-Trafficable Covers and Lids _____	10
Trafficable Covers and Lids _____	10
QLD Non-Trafficable Valve & Hydrant Boxes _____	11
QLD Trafficable Valve & Hydrant Boxes _____	11
QLD Lids _____	12
L-Type Hydrant Cover _____	12
199 Covers _____	13
200 Covers _____	13
Valve Extension Spindles _____	14
Ductile Iron Blank Flanges _____	15
Gaskets and Kits _____	16
Backing Rings _____	16
EPDM Valve Cones _____	17
Swabs _____	17
Tapping Bands Series 1 _____	18
Tapping Bands Series 2 _____	19
HDPE Tapping Bands _____	20





**DAEMCO IS AN ORIGINAL DESIGN MANUFACTURER AND A TEAM WITH OVER 20 YEARS INDUSTRY KNOWLEDGE AND EXPERIENCE, OFFERING A COMPREHENSIVE RANGE OF PRODUCTS FOR ALL YOUR PROJECT NEEDS.**

We design, develop and manufacture a comprehensive range of products for the water, sewer, civil, commercial plumbing, irrigation, industrial and mining industries with a quality management system certified to ISO9001.

We have a comprehensive range of resilient seat gate valves, unrestrained mechanical couplings, PE flange adaptors and couplings, ductile iron pipe fittings, tapping bands, valve and hydrant covers, valve extension spindles and an assortment of other accessories to complete the installation of any pipeline. The products we offer comply with all relevant Australian, New Zealand and International standards with an on-going commitment to quality. Our core strengths are dedicated service delivery and product innovation, so for your next project don't hesitate to contact us for all your requirements.

# FLANGE RESILIENT SEAT GATE VALVES

## Design Advantage

- Compact and lightweight
- Stem seal replacement whilst under pressure
- Unique gate guide for low torque operating
- Full bore waterway
- Full vulcanized ductile iron encapsulated wedge
- Smooth opening and closing operation



## Technical Detail

**Range** DN50 and DN80-DN375

**Pressure** PN16

**Temperatures** 40°C

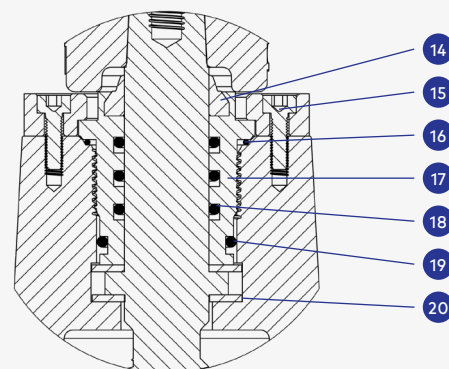
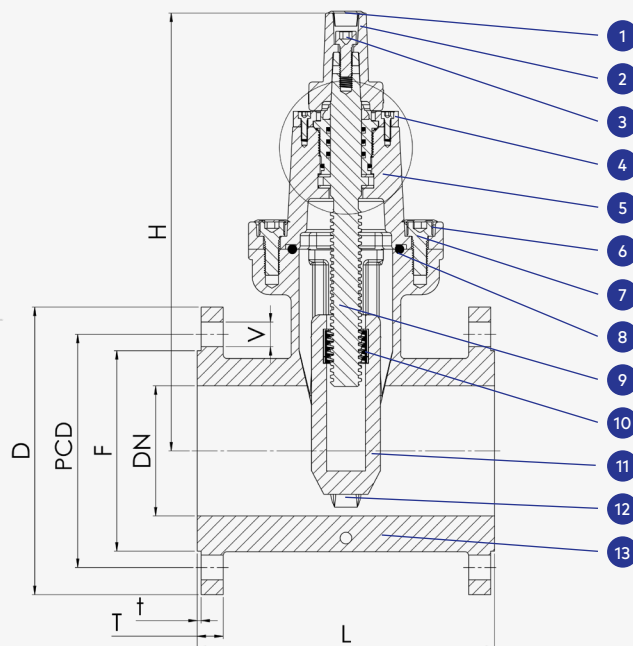
**Applications** Suitable for above and below ground installations, potable water, recycled water, waste water, fire and irrigation applications

**Closing** Anti-Clockwise (ACC)/Clockwise Closing (CC)

**Options** Handwheel

### Compliance

- AS/NZS 2638.2 Licence WM-22535 and OMK22535
- WSAA PA 1517



NO.	PART	MATERIAL	STANDARD
1	Dust Cap	Plastic	Nylon 66 Commercial
2	Valve Cap	Ductile Iron	500-7 AS 1831
3	Valve Cap Bolt	Stainless Steel	SS316 ASTM A276
4	Gland Flange	Stainless Steel	SS316 ASTM A276
5	Bonnet	Ductile Iron	500-7 AS 1831
6	Bonnet Bolt Infill	Hot Melt	
7	Bonnet Bolt	Stainless Steel	SS316 ASTM A276
8	Bonnet O-Ring	Rubber	EPDM AS 1646
9	Stem	Stainless Steel	SS431 ASTM A276
10	Driving Nut	Copper Alloy	C83600 AS 1568
11	Wedge	Ductile Iron	500-7 AS 1831
		Rubber	EPDM AS 1646
12	Nylon Guide	Engineered Plastic	Nylon 66 Commercial
13	Body	Ductile Iron	500-7 AS 1831
14	Scraper Seal	Engineered Plastic	Nylon 66 Commercial
15	Gland Flange Bolt	Stainless Steel	SS316 ASTM A276
16	Gland O-Ring A	Rubber	NBR AS 1646
17	Gland Nut	Copper Alloy	C83600 AS 1568
18	Gland O-Ring B	Rubber	NBR AS 1646
19	Gland O-Ring C	Rubber	NBR AS 1646
20	Thrust Washer	Engineered Plastic	Nylon 66 Commercial
*	Lifting Lugs	Steel	Galvanized Commercial

FLANGE RESILIENT SEAT GATE VALVE DIMENSIONS									
DN	L	H	FLANGE DETAIL						
			D	PCD	t	F	T	n	V
50	178	276	165	114	4	90	17	4	18
80	203	290	185	146	3	122	18	4	18
100	229	325	215	178	3	154	20	4	18
150*	267	400	280	235	3	211	23	8	18
200*	292	558	335	292	3	268	23	8	18
225*	305	570	370	324	3	300	24	8	18
250*	330	664	405	356	3	328	24	8	22
300*	356	730	455	406	4	378	30	12	22
375*	381	890	550	495	4	463	33	12	26

# PE RESILIENT SEAT GATE VALVES

## Design Advantage

- Push in socket joint
- Fully restrained connection
- Full vulcanized ductile iron encapsulated wedge
- Smooth opening and closing operation
- Full bore waterway

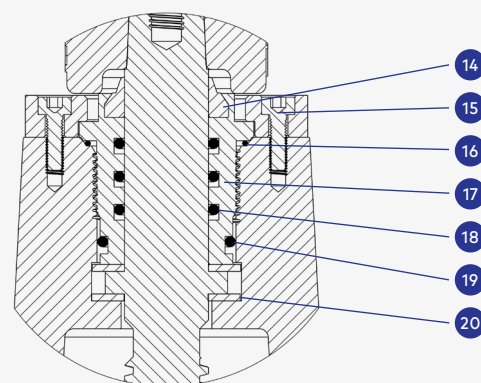
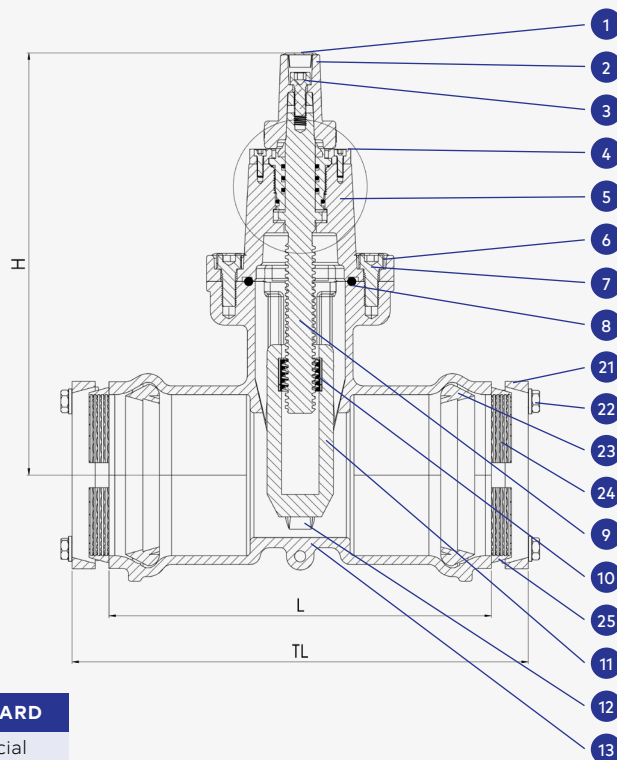


## Technical Detail

<b>Range</b>	DN125 and DN180
<b>Pressure</b>	PN10 to PN16 / SDR17 to SDR11
<b>Temperatures</b>	40°C
<b>Applications</b>	Suitable for above and below ground installations, potable water, recycled water, waste water, fire and irrigation applications
<b>Closing</b>	Anti-Clockwise (ACC) / Clockwise Closing (CC)
<b>Options</b>	Handwheel

## Compliance

- AS/NZS 2638.2 Licence WM-22535 and OMK22535
- ISO EN 12842 Licence OMK30063
- WSAA PA 1624 / WSAA PA 1517



NO.	PART	MATERIAL	STANDARD
1	Dust Cap	Plastic Nylon 66	Commercial
2	Valve Cap	Ductile Iron 500-7	AS 1831
3	Valve Cap Bolt	Stainless Steel SS316	ASTM A276
4	Gland Flange	Stainless Steel SS316	ASTM A276
5	Bonnet	Ductile Iron 500-7	AS 1831
6	Bonnet Bolt Infill	Hot Melt	
7	Bonnet Bolt	Stainless Steel SS316	ASTM A276
8	Bonnet O-Ring	Rubber EPDM	AS 1646
9	Stem	Stainless Steel SS431	ASTM A276
10	Driving Nut	Copper Alloy C83600	AS 1568
11	Wedge	Ductile Iron 500-7	AS 1831
12	Nylon Guide	Rubber EPDM	AS 1646
13	Body	Engineered Plastic Nylon 66	Commercial
14	Scraper Seal	Ductile Iron 500-7	AS 1831
15	Gland Flange Bolt	Rubber EPDM	AS 1646
16	Gland O-Ring A	Stainless Steel SS316	ASTM A276
17	Gland Nut	Rubber NBR	AS 1646
18	Gland O-Ring B	Copper Alloy C83600	AS 1568
19	Gland O-Ring C	Rubber NBR	AS 1646
20	Thrust Washer	Rubber NBR	AS 1646
21	End Ring	Engineered Plastic Nylon 66	Commercial
22	End Ring Bolt/Washer	Ductile Iron 500-7	AS 1831
23	Socket Gasket	Stainless Steel, MDS# SS316	ASTM A276
24	Grip Ring	Rubber EPDM	AS 1646
25	Spacer	Copper Alloy C83600	AS 1568
*	Lifting Lugs	Engineered Plastic Polypropylene	Commercial
*		Steel Galvanized	Commercial

DETAILS			
DN	L	TL	H
100/125	306	362	325
150/180*	394	455	400

\* Molybdenum Delta Seal



# SPIGOT RESILIENT SEAT GATE VALVES

## Design Advantage

- Compact and lightweight
- Stem seal replacement whilst under pressure
- Unique gate guide for low torque operating
- Full bore waterway
- Full vulcanized ductile iron encapsulated wedge
- Smooth opening and closing operation

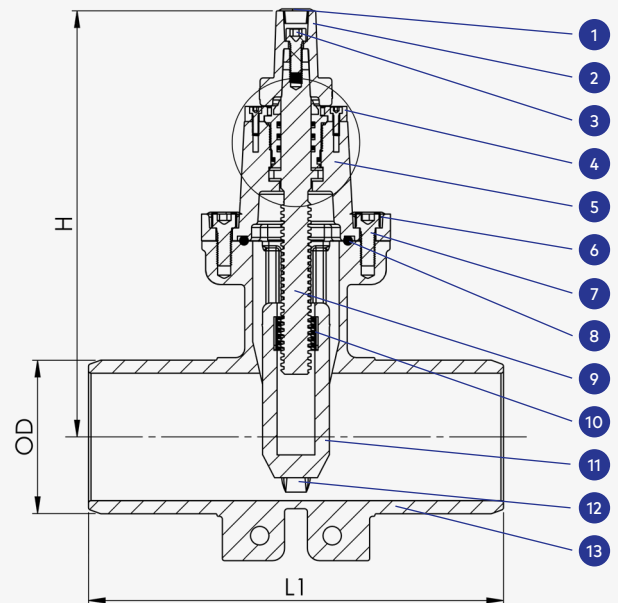


## Technical Detail

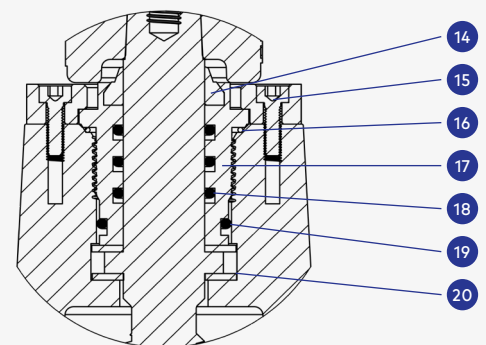
<b>Range</b>	DN100 and DN150
<b>Pressure</b>	PN16
<b>Temperatures</b>	40°C
<b>Applications</b>	Suitable for above and below ground installations, potable water, recycled water, waste water, fire and irrigation applications
<b>Closing</b>	Anti-Clockwise (ACC)/Clockwise Closing (CC)
<b>Options</b>	Handwheel

## Compliance

- AS/NZS 2638.2 Licence WM-22535 and OMK22535
- WSAA PA 1517



NO.	PART	MATERIAL	STANDARD
1	Dust Cap	Plastic Nylon 66	Commercial
2	Valve Cap	Ductile Iron	500-7 AS 1831
3	Valve Cap Bolt	Stainless Steel	SS316 ASTM A276
4	Gland Flange	Stainless Steel	SS316 ASTM A276
5	Bonnet	Ductile Iron	500-7 AS 1831
6	Bonnet Bolt Infill	Hot Melt	
7	Bonnet Bolt	Stainless Steel	SS316 ASTM A276
8	Bonnet O-Ring	Rubber	EPDM AS 1646
9	Stem	Stainless Steel	SS431 ASTM A276
10	Driving Nut	Copper Alloy	C83600 AS 1568
11	Wedge	Ductile Iron Rubber	500-7 AS 1831 EPDM AS 1646
12	Nylon Guide	Engineered Plastic	Nylon 66 Commercial
13	Body	Ductile Iron	500-7 AS 1831
14	Scraper Seal	Engineered Plastic	Nylon 66 Commercial
15	Gland Flange Bolt	Stainless Steel	SS316 ASTM A276
16	Gland O-Ring A	Rubber	NBR AS 1646
17	Gland Nut	Copper Alloy	C83600 AS 1568
18	Gland O-Ring B	Rubber	NBR AS 1646
19	Gland O-Ring C	Rubber	NBR AS 1646
20	Thrust Washer	Engineered Plastic	Nylon 66 Commercial
*	Lifting Lugs	Steel	Galvanized Commercial



DETAILS			
DN	H	L1	OD
100	340	330	122
150	415	340	177

# SOCKET RESILIENT SEAT GATE VALVES

## Design Advantage

- Compact and lightweight
- Stem seal replacement whilst under pressure
- Unique gate guide for low torque operating
- Full bore waterway
- Full vulcanized ductile iron encapsulated wedge
- Smooth opening and closing operation

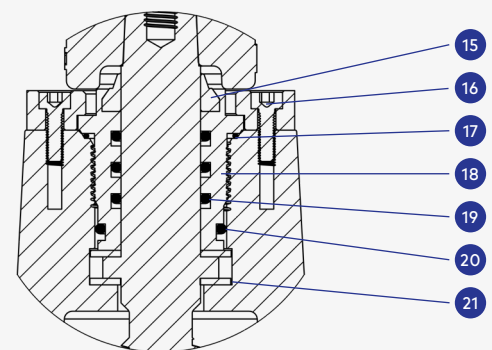
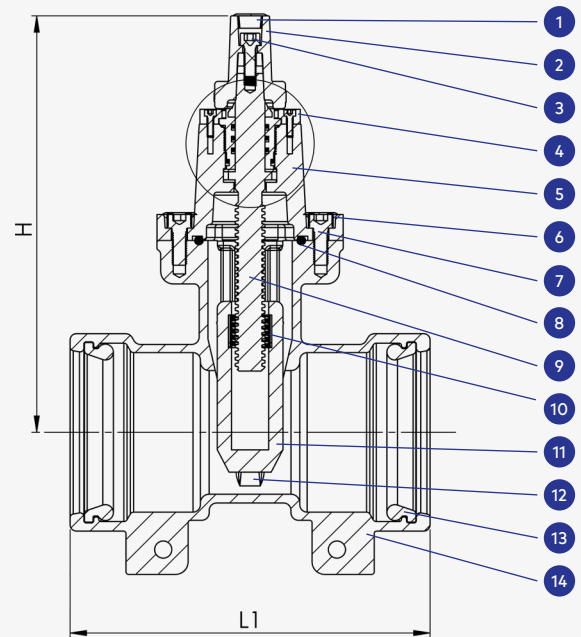


### Technical Detail

<b>Range</b>	DN100 and DN150
<b>Pressure</b>	PN16
<b>Temperatures</b>	40°C
<b>Applications</b>	Suitable for above and below ground installations, potable water, recycled water, waste water, fire and irrigation applications
<b>Closing</b>	Anti-Clockwise (ACC)/Clockwise Closing (CC)
<b>Options</b>	Handwheel

### Compliance

- AS/NZS 2638.2 Licence WM-22535 and OMK22535
- WSAA PA 1517



NO.	PART	MATERIAL	STANDARD
1	Dust Cap	Plastic	Nylon 66 Commercial
2	Valve Cap	Ductile Iron	500-7 AS 1831
3	Valve Cap Bolt	Stainless Steel	SS316 ASTM A276
4	Gland Flange	Stainless Steel	SS316 ASTM A276
5	Bonnet	Ductile Iron	500-7 AS 1831
6	Bonnet Bolt Infill	Hot Melt	
7	Bonnet Bolt	Stainless Steel	SS316 ASTM A276
8	Bonnet O-Ring	Rubber	EPDM AS 1646
9	Stem	Stainless Steel	SS431 ASTM A276
10	Driving Nut	Copper Alloy	C83600 AS 1568
11	Wedge	Ductile Iron	500-7 AS 1831
		Rubber	EPDM AS 1646
12	Nylon Guide	Engineered Plastic	Nylon 66 Commercial
13	Gasket	Rubber	EPDM AS 1646
14	Body	Ductile Iron	500-7 AS 1831
15	Scraper Seal	Engineered Plastic	Nylon 66 Commercial
16	Gland Flange Bolt	Stainless Steel	SS316 ASTM A276
17	Gland O-Ring A	Rubber	NBR AS 1646
18	Gland Nut	Copper Alloy	C83600 AS 1568
19	Gland O-Ring B	Rubber	NBR AS 1646
20	Gland O-Ring C	Rubber	NBR AS 1646
21	Thrust Washer	Engineered Plastic	Nylon 66 Commercial
*	Lifting Lugs	Steel	Galvanized Commercial

DETAILS		
DN	H	L1
100	340	290
150	415	330



# UNRESTRAINED MECHANICAL COUPLINGS

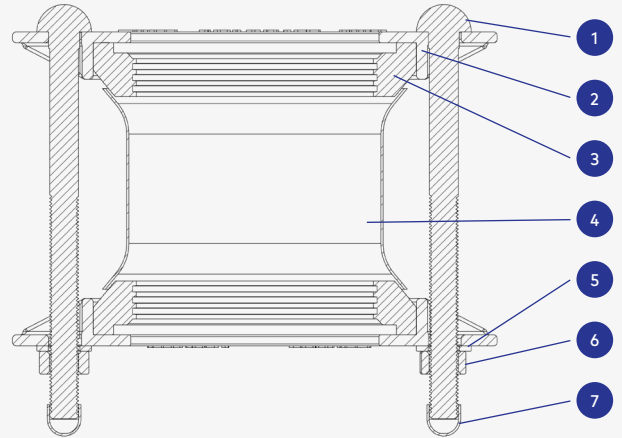
## Design Advantage

- Quick and easy to install
- Disassembly not required
- Wide range to suit all pipe diameters
- Ultimate corrosion protection
- Pre-lubricated gaskets



### Technical Detail

Range	DN80 to DN600
Pressure	PN16
Temperatures	40°C
Applications	Suitable for potable water and wastewater. For connecting equal or unequal pipe diameters.
Options	NBR Gaskets



### Compliance

- Product Certification OMK30051
- WSAA PA 1518



NO.	PART	MATERIAL		STANDARD
1	Bolts	Stainless Steel	316	ASTM F593
2	End Rings	Ductile Iron FBE Coated	400-15	AS 1831
3	Gaskets	Rubber	EPDM	AS 1646
4	Barrel	Stainless Steel	316L	ASTM A240M
5	Washers	Stainless Steel	316	ASTM F844
6	Nuts	Stainless Steel, Delta Seal	316	ASTM F594
7	Bolt Caps	Plastic		

### SHORT SERIES

NOMINAL DIAMETER	RANGE		BOLT			PN	MAX ANGULAR DEFLECTION PER SIDE	BARREL LENGTH
	MIN	MAX	L	SIZE	QTY			
DN80	88	102	200	M16	3	16	3/3	110
DN100	109	133	200	M16	3	16	3/3	110
DN150	158	182	200	M16	3	16	3/3	110

### LONG SERIES

NOMINAL DIAMETER	RANGE		BOLT			PN	MAX ANGULAR DEFLECTION PER SIDE	BARREL LENGTH
	MIN	MAX	L	SIZE	QTY			
DN80	88	102	270	M16	3	16	3/3	178
DN100	109	133	270	M16	3	16	3/3	178
DN150	158	182	270	M16	3	16	3/3	178
DN200	214	238	290	M16	5	16	3/3	178
DN225	240	264	290	M16	6	16	3/3	178
DN250	272	296	290	M16	6	16	3/3	178
DN300	330	354	330	M16	6	16	3/3	178
DN375	400	429	330	M16	8	16	2.5/2.5	218
DN450	488	512	330	M16	10	16	2/2	218
DN500	540	565	330	M16	12	16	2/2	218
DN600	656	680	330	M16	14	16	1.5/1.5	218



Scan QR Code for Installation Instructions

# PE COUPLINGS

## Design Advantage

- Push-in socket joint
- Fully restrained connection



### Technical Detail

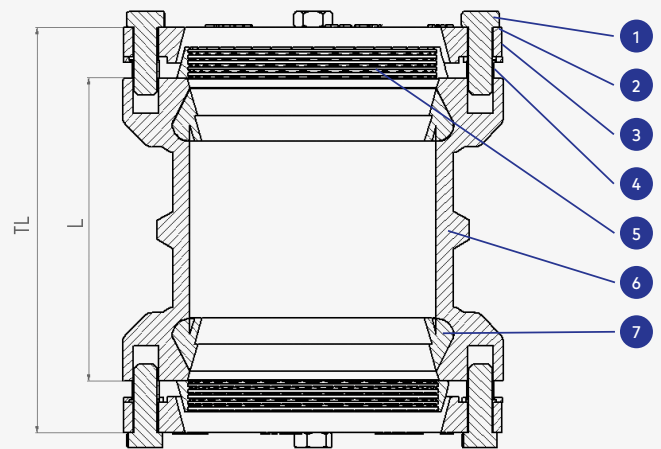
**Range** PE DN125 and PE DN180

**Pressure** PN10 to PN16 / SDR17 to SDR11

**Socket** Max 1.5° Deflection

**Temperatures** 40°C

**Applications** Suitable for above and below ground installations, potable water, recycled water, waste water, fire and irrigation applications



### Compliance

- ISO EN 12842 Licence OMK30063
- WSAA PA 1624



NO.	PART	MATERIAL	STANDARD
1	End Ring Bolt	Stainless Steel, MDS*	SS316 ASTM A276
2	Washer	Stainless Steel	SS316 ASTM A276
3	End Ring	Ductile Iron	500-7 AS 1831
4	Spacer	Engineered Plastic Polypropylene	AS 1831
5	Grip Ring	Copper Alloy	C83600 AS 1568
6	Body	Ductile Iron	500-7 AS 1831
7	Socket Gasket	Rubber	EPDM AS 1646

\* Molybdenum Delta Seal

DIMENSIONS					
DN	PN	L	TL	FASTENER	
				SIZE	QTY
125	16	134	188	M12	4 X 4
180	16	185	238	M12	4 X 4



# PE FLANGE ADAPTORS

## Design Advantage

- Push-in socket joint
- Fully restrained connection
- Flanges compliant to AS/NZS 4087



### Technical Detail

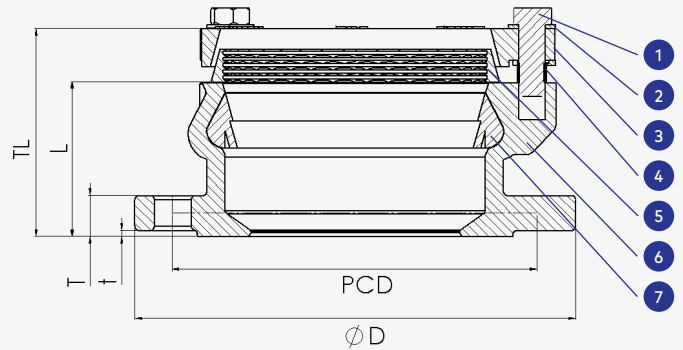
**Range** PE DN125/100 and PE DN180/150

**Pressure** PN10 to PN16 / SDR17 to SDR11

**Socket** Max 1.5° Deflection

**Temperatures** 40°C

**Applications** Suitable for above and below ground installations, potable water, recycled water, waste water, fire and irrigation applications



### Compliance

- ISO EN 12842 Licence OMK30063
- WSAA PA 1624



NO.	PART	MATERIAL	STANDARD
1	End Ring Bolt	Stainless Steel, MDS*	SS316 ASTM A276
2	Washer	Stainless Steel	SS316 ASTM A276
3	End Ring	Ductile Iron	500-7 AS 1831
4	Spacer	Engineered Plastic	Polypropylene AS 1831
5	Grip Ring	Copper Alloy	C83600 AS 1568
6	Body	Ductile Iron	500-7 AS 1831
7	Socket Gasket	Rubber	EPDM AS 1646

\* Molybdenum Delta Seal

PE PIPE END						FLANGE END							
DN PE	PN	L	TL	FASTENERS		DN FL	D	PCD	QTY HOLES	HOLE Ø	FASTENER SIZE	t	T
				SIZE	QTY								
125	16	77	103	M12	4	100	215	178	4	18	M16	3	20
180	16	98	127	M12	4	150	280	235	8	18	M16	3	23



Scan QR Code for Installation Instructions

# DUCTILE IRON FITTINGS

## Design Advantage

- State of the art corrosion resistance
- High strength
- Impact resistant
- Lightweight
- Deep sockets
- Suitable for Series 1 or Series 2



## Technical Detail

**Range** Sizes vary depending on type of fitting, as per table below. Refer to Ductile Iron Fittings brochure for more detail. \*

**Pressure** PN16

**Temperature** 40°C

**Gaskets** Suitable for use with either Series 1 or Series 2 rubber ring gaskets

**Applications** Suitable for above and below ground installations in potable water, recycled water, waste water, fire or irrigation applications

**Options** A full range of flange gaskets, nuts, bolts and washers are available either individually or combined in pre-packaged kits

## Compliance

- AS/NZS 2280 (OMK30047 & WM-022892)
- AS4158
- AS/NZS 4020
- AS/NZS 4087
- WSAA PA 1805



FITTING	RANGE
Socket Bends	DN100-150 (11 ¼, 22 ½, 45, 90)
Flanged Bends	DN100-150 (11 ¼, 22 ½, 45, 90), DN200 (45, 90)
Washout Bends	DN100-150/dn80-100
Socket Flange Tees	DN100-150/dn80-100
Spigot Flange Tees	DN100-200/dn80
Socket Tees	DN100-150/dn100-150
Flanged Tees	DN100-150/dn80-150
Hydrant Riser	DN80/150-1000, DN100/100-1000, DN150/150-1000
Pre-Tapped Connectors	DN100-150/Tap 20/2 Hole (Blue & Lilac)
Socket-Socket Connectors	DN100-150
Flange-Socket Connectors	DN100-375
Flange-Spigot Connectors	DN50-375
Socket Flanged Thrust Connectors	DN100/600 & 750, DN150/600
Flanged Thrust Connectors	DN100/600 & 750, DN150/600 & 750
Flange Tapers	DN100-dn80, DN150-dn100
Caps	DN100-150
Blank Flanges	DN80-375
Tapped Flanges	DN80-375/Tap 25 & 50

\* Other sizes upon request. Please refer to the Ductile Iron Fittings brochure for more detail.

# NON-TRAFFICABLE COVERS AND LIDS

## Design Advantage

- Highly Durable
- Solid full pigment colour
- UV resistant
- Inert and fire resistant
- Class B
- Metal detectable

### Technical Detail

<b>Cover</b>	SV, Sheet Mould Compound (SMC)
<b>Lid</b>	Sheet Mould Compound (SMC) * Black Bitumen Cast Iron lids upon request
<b>Colours</b>	White, Green, Purple, Yellow, Grey and Blue * Other colours upon request
<b>Installation</b>	Suitable for use with DWV DN150 or DN225 Shroud Pipe
<b>Identification</b>	Colour
<b>Application</b>	Suitable for valve or hydrant installations in non-trafficable applications
<b>Lid Marking</b>	Water, Valve, SV, SV NDW, H and H NDW



# TRAFFICABLE COVERS AND LIDS

## Design Advantage

- Black bitumen coated
- Purple FBE coated UV resistant
- Design flexibility for different load ratings
- Class D

### Technical Detail

<b>Colours</b>	Black and Purple
<b>Application</b>	Suitable for valve or hydrant installations in trafficable applications
<b>Lid Marking</b>	Water Valve, Valve, Sewer, Valve NDW, Water, FH, Hydrant and Water NDW



# QLD NON-TRAFFICABLE VALVE & HYDRANT BOXES

## Design Advantage

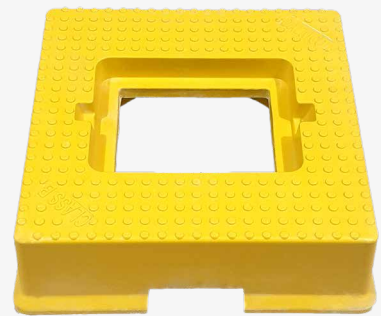
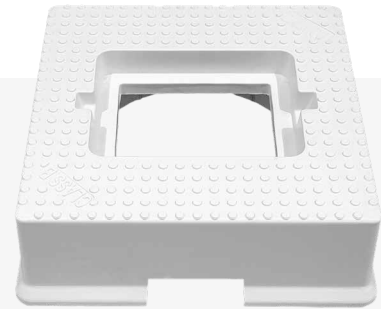
- Highly Durable
- Solid full pigment colour
- UV resistant
- Inert and fire resistant

### Technical Detail

<b>Material</b>	Sheet Mould Compound (SMC)
<b>Colours</b>	White and Yellow * Other colours upon request
<b>Installation</b>	Suitable for use with DWV DN225 Shroud Pipe
<b>Identification</b>	Colour
<b>Application</b>	Suitable for valve and hydrant installations in non-trafficable applications

### Compliance

- AS 3996 Access Covers and Grates
- Class B



# QLD TRAFFICABLE VALVE & HYDRANT BOXES

## Design Advantage

- Black bitumen coated

### Technical Detail

<b>Colours</b>	Black
<b>Application</b>	Suitable for valve and hydrant installations in trafficable applications

### Compliance

- AS 3996 Access Covers and Grates
- Class D



# QLD LIDS

## Design Advantage

- Highly Durable

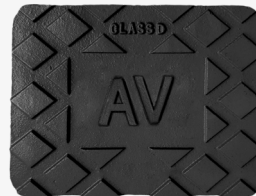


### Technical Detail

**Colours** Black  
\* Other colours upon request

**Application** Suitable for use in trafficable and non-trafficable applications

**Marking** H, FH, V, SV and AV



### Compliance

- AS 3996 Access Covers and Grates
- Class D

# L-TYPE HYDRANT COVER

## Design Advantage

- UV resistant colour top
- Latch pin locking system

### Technical Detail

**Cover** Hot Dipped Galvanised Steel

**Top Colours** Red and Black (Other upon request)

**Body** Standard, Drilled, Colour Bands

**Installation** Concrete Surround with Latch Pin

**Application** Suitable for above ground hydrant and air valve installations

**Option** Latch pin



# 199 COVERS

## Design Advantage

- Black bitumen coated

### Technical Detail

Colours	Black
Application	Suitable for installation in trafficable applications
Lid Marking	199

### Compliance

- AS 3996 Access Covers and Grates
- Class C



# 200 COVERS

## Design Advantage

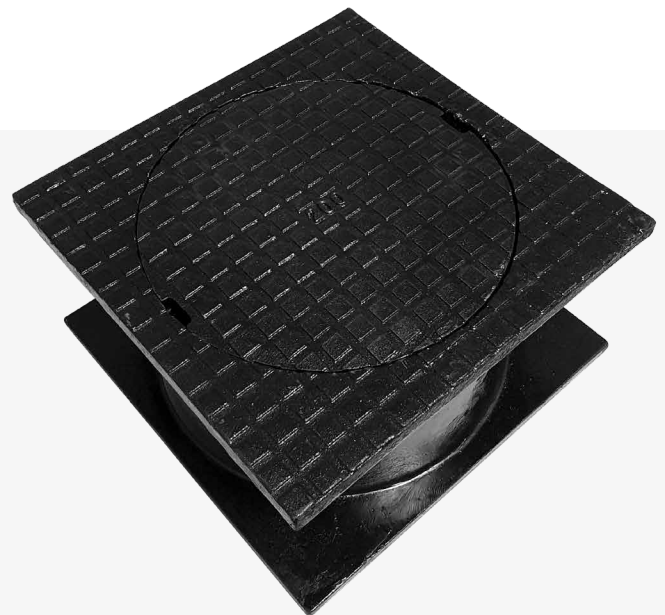
- Black bitumen coated

### Technical Detail

Colours	Black
Application	Suitable for installation in trafficable applications
Lid Marking	200

### Compliance

- AS 3996 Access Covers and Grates
- Class C





# VALVE EXTENSION SPINDLES

## Design Advantage

- Integral cast ductile iron
- Hot dipped galvanised

## Technical Detail

**Range** 150mm to 1500mm  
\*Welded longer lengths available upon request

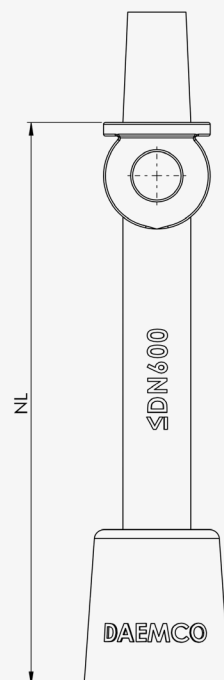
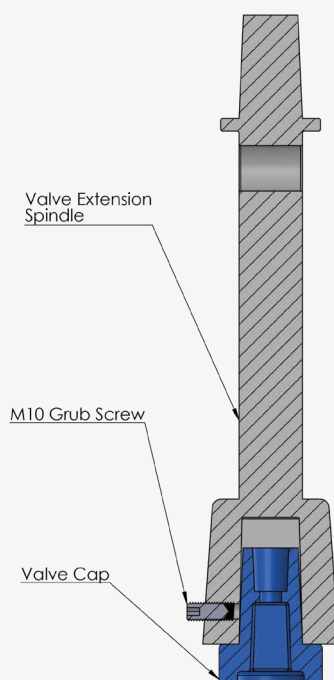
**Valves** Resilient and Metal Seat

**Valve Size** Up to and including DN600

**Applications** Suitable for above and below ground installations

## Compliance

- AS/NZS 2638.1 Test J
- AS/NZS 2638.2 Test M
- WSAA PA 1806



### NL (mm)

150  
225  
300  
375  
450  
525  
600  
750  
900  
1000  
1200  
1500

# DUCTILE IRON BLANK FLANGES

## Design Advantage

- FBE coated
- Blank and Tapped
- Lightweight



### Technical Detail

**Range** DN80 to DN375  
\*Larger sizes upon request

**Pressure** PN16

**Material** Ductile Iron FBE Coated

**Applications** Potable Water, Recycled Water, Waste Water and Sewer



### Compliance

- AS/NZS 2280 Licence WM-022892 and OMK30047
- WSAA PS 1805



DN	BLANK	TAPPED (mm) †
80	✓	25, 50
100	✓	25, 50
150	✓	50
200	✓	50
225	✓	50
250	✓	50
300	✓	50
375	✓	50

†Other tappings upon request.

# GASKETS AND KITS

## Design Advantage

- All within a single package
- EPDM or Fibre high pressure gaskets
- 316 Stainless Steel bolts and washers (3mm)
- 316 Stainless Steel nuts coated with molybdenum, anti-seize
- Galvanised bolts, nuts and washers (3mm)



## Technical Detail

<b>Range</b>	DN80 to DN600 Larger sizes upon request
<b>Pressure</b>	PN16 Higher pressure gaskets upon request
<b>Gasket Material</b>	EPDM or Fibre
<b>Applications</b>	Ductile Iron to Ductile Iron Ductile Iron to Polyethylene Polyethylene to Polyethylene

## Compliance

- AS 1646
- AS/NZS 4020
- WSAA PA 2026



# BACKING RINGS

## Design Advantage

- 316 Stainless Steel
- Galvanised Steel

## Technical Detail

<b>Range</b>	PE DN63 to DN315/DN50 to DN300 Larger sizes upon request
<b>Pressure</b>	PN16
<b>Material</b>	Stainless Steel 316 and Galvanised Steel

## Compliance

- AS/NZS 4087 Fig B5
- AS 2129 Table D and E



# EPDM VALVE CONES

## Design Advantage

EPDM cones are used to replace original braided packings in water valve stuffing boxes. The rubber cones are simpler to install and have proved to last much longer than packings, which are also prone to break-down with particles being washed into the water system. As a flexible rubber component, this design of seal ensures constant pressure to form a water-tight seal even in worn valves and can help prolong valve use, especially useful in emergency situations where replacement hardware cannot be quickly fitted.

### Technical Detail

<b>Size</b>	#4 to #55
<b>Material</b>	EPDM
<b>Valve Stem <math>\varnothing</math></b>	20mm, 25mm, 31mm, 28mm, 34mm, 31mm, 41mm, 34mm, 38mm, 40mm, 44mm, 48mm, 54mm
<b>Applications</b>	Potable Water and Recycled Water



# SWABS

## Design Advantage

- Wide range to suit all pipe diameters
- Lightweight

### Technical Detail

<b>Range</b>	DN80 to DN750 Other sizes available upon request
<b>Material</b>	Foam
<b>Applications</b>	Potable Water, Recycled Water, Waste Water



# SERIES 1 TAPPING BANDS

## Design Advantage

- Quick and easy installation
- Positive stop to prevent overtightening
- Superior corrosion protection



## Technical Detail

Range	DN40 to DN300
Pressure	PN16
Temperatures	40°C
Applications	Irrigation, Commercial Plumbing
Pipe Material	PVC-U
Colours	White

## Compliance

- AS/NZS4793 Licence ACS 3004
- WSAA PA 1018



### SUITABLE FOR - PVC-U

DN	OD (mm)	E-LIP SEAL OR O-RING	TAPPING SIZE (BSP)				
			20mm (3/4")	25mm (1")	32mm (1 1/4")	40mm (1 1/2")	50mm (2")
40	48	O-Ring	✓	✓	-	-	-
50	60	O-Ring	✓	✓	-	-	-
80	89	E-Lip	✓	✓	✓	✓	✓
100	114	E-Lip	✓	✓	✓	✓	✓
150	160	E-Lip	✓	✓	✓	✓	✓
155	168	O-Ring	-	✓	-	-	✓
195	218	O-Ring	-	✓	-	-	✓
200	225	E-Lip	✓	✓	✓	✓	✓
300	315	E-Lip	✓	✓	✓	✓	✓

# SERIES 2 TAPPING BANDS

## Design Advantage

- Quick and easy installation
- Positive stop to prevent overtightening
- Superior corrosion protection



## Technical Detail

Range	DN100 to DN300
Pressure	PN16
Temperatures	40°C
Applications	Potable Water, Recycled Water
Pipe Material	PVC-M, PVC-O, Ductile Iron, Asbestos Cement
Colours	Blue and Purple



## Compliance

- AS/NZS4793 Licence ACS 3004
- WSAA PA 1018



### SUITABLE FOR - PVC-M, PVC-O, DUCTILE IRON, ASBESTOS CEMENT PIPE

DN	OD (mm)	E-LIP SEAL OR O-RING	TAPPING SIZE (BSP)				
			20mm (3/4")	25mm (1")	32mm (1 1/4")	40mm (1 1/2")	50mm (2")
100	122	E-Lip	✓	✓	✓	✓	✓
150	177	E-Lip	✓	✓	✓	✓	✓
200	232	E-Lip	✓	✓	✓	✓	✓
225	259	E-Lip	✓	✓	✓	✓	✓
250	286	E-Lip	✓	✓	✓	✓	✓
300	345	E-Lip	✓	✓	✓	✓	✓

# HDPE TAPPING BANDS

## Design Advantage

- Quick and easy installation
- Positive stop to prevent overtightening
- Superior corrosion protection



### Technical Detail

Range	DN63 to DN315
Pressure	PN16
Temperatures	40°C
Applications	Irrigation, Potable Water, Recycled Water
Pipe Material	HDPE 100
Colours	Black and Purple



### Compliance

- AS/NZS4129 Licence ACS 3004
- WSAA PA 1019



### SUITABLE FOR - HDPE PIPE

DN	OD (mm)	E-LIP SEAL OR O-RING	TAPPING SIZE (BSP)				
			20mm (3/4")	25mm (1")	32mm (1 1/4")	40mm (1 1/2")	50mm (2")
63	63	E-Lip	✓	✓	-	-	-
90	90	E-Lip	✓	✓	✓	✓	✓
110	110	E-Lip	✓	✓	✓	✓	✓
125	125	E-Lip	✓	✓	✓	✓	✓
160	160	E-Lip	✓	✓	✓	✓	✓
180	180	E-Lip	✓	✓	✓	✓	✓
225	225	E-Lip	✓	✓	✓	✓	✓
250	250	E-Lip	-	-	-	-	-
315	315	E-Lip	✓	✓	✓	✓	✓



www.daemco.com.au



VALVES



COUPLINGS



ACCESSORIES



PE DI FITTINGS



COVERS



BANDS

Head Office: Ground Floor. 215 Bell Street, Preston VIC 3072

Phone: +61 3 9863 6838 | Email: [enquiries@daemco.com.au](mailto:enquiries@daemco.com.au)

Follow us on **LinkedIn**

©Copyright 2018. All Rights Reserved. Daemco Australia reserve the right to change designs and specifications without notice, warranties for suitability for use, liability or loss, damage or costs incurred relating to this information is excluded.

PRODUCT OVERVIEW BROCHURE | RGB LOW-RES PAGES V1.7